



**TEST REPORT**  
**ON**  
**1030 MHz FIXED FREQUENCY**  
**SINGLE POLE DOUBLE THROW**  
**REFLECTIVE PIN DIODE SWITCH MODULE**

**AMC MODEL No:**  
**SWN-218-2A**  
**OPTION 101F, HPR5W, HS**

**Serial Numbers: 2MS912873 THRU 2MS912876**

**DESIGNED**  
**BY**  
**R. Afable**

**TESTED**  
**BY**  
**F. Rethmeier**

**REPORTED**  
**BY**  
**E. Elder**

**October 21, 2004**

**AMERICAN MICROWAVE CORPORATION., 7311-G Grove Road, Frederick, MD 21704**  
**Tel: 301-662-4700 • Fax: 301-662-4938 • Email: [sales@americanmicrowavecorp.com](mailto:sales@americanmicrowavecorp.com)**  
**Website: <http://www.americanmicrowavecorp.com>**

**ISO9001 : 2000 CERTIFIED**

*DRH*  
*my*  
*JEM*  
*JST*  
*JK*  
*pu*

## TABLE OF CONTENTS

●	PRODUCT DESCRIPTION AND ELECTRICAL SPECIFICATIONS	PAGE 3
●	PRODUCT FEATURE AND ENVIRONMENTAL SPECIFICATIONS	PAGE 4
●	MECHANICAL OUTLINE	PAGE 5
●	FUNCTIONAL SCHEMATIC	PAGE 6
●	TEST DATA ON SWN-218-2A OPTIONS 101F, HPR5W, HS SERIAL NUMBERS 2MS912873 THRU 2MS912873	PAGE 7
●	TEST DATA FOR SWN-218-2A OPTIONS 101F, HPR5W, HS SERIAL NUMBER 2MS912873	PAGE 8
●	TEST DATA FOR SWN-218-2A OPTIONS 101F, HPR5W, HS SERIAL NUMBER 2MS912874	PAGE 9
●	TEST DATA FOR SWN-218-2A OPTIONS 101F, HPR5W, HS SERIAL NUMBER 2MS912875	PAGE 10
●	TEST DATA FOR SWN-218-2A OPTIONS 101F, HPR5W, HS SERIAL NUMBER 2MS912876	PAGE 11

## SINGLE POLE SINGLE THROW REFLECTIVE PIN DIODE SWITCH MODULE AMC MODEL No: SWN-218-2A OPTIONS 101F, HPR5W, HS

### FEATURES:

- **1030 MHz FIXED FREQUENCY**
- **1.2 dB MAXIMUM LOW INSERTION LOSS**
- **85 dB MINIMUM HIGH ISOLATION**
- **CAPABLE OF HANDLING 5 WATTS POWER**
- **200 nS HIGH SPEED**



### SPECIFICATIONS:

- |                  |  |
|------------------|--|
| ● FREQUENCY      | : 1030 MHz FIXED FREQUENCY                                   |
| ● INSERTION LOSS | : 1.2 dB MAXIMUM   |
| ● ISOLATION      | : 85 dB MINIMUM  |
| ● VSWR           | : 2.0:1  |
| ● SPEED          | : RISE TIME: 200 nsec MAXIMUM<br>FALL TIME: 200 nsec MAXIMUM |
| ● POWER INPUT    | : (CW)+20 dBm (STANDARD), +10 dBm (HIGH SPEED)               |
| ● POWER HANDLING | : 5 WATTS CW   |
| ● CONTROL        | : TTL LOGIC "0"=J1-J2 ON, "1"=J1-J3 ON                       |
| ● POWER SUPPLY   | : +5V @ 60 mA MAXIMUM<br>-15V @ 100 mA Maximum               |
| ● CONNECTORS     |  |
| RF               | : SMA FEMALE   |
| CONTROL          | : SOLDER PIN   |
| ● SIZE           | : 1.20" (L) x 1.00" (W) x 0.50" (H)                          |
| ● WEIGHT         | : 1.5 OUNCES TYPICAL   |

**PRODUCT FEATURE**

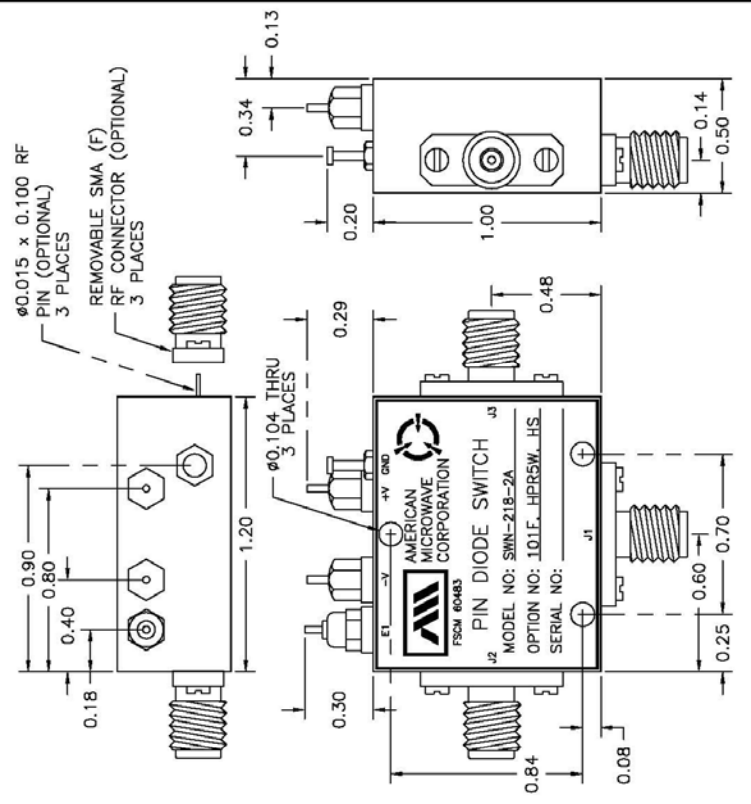
REV.	DESCRIPTION	DATE	APPROVED
1	ORIGINAL RELEASE, JOB# 911215E	11/10/08	

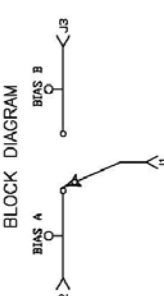
**DESCRIPTION:**  
 AMC MODEL NUMBER SWN-218-2A OPTIONS 101F, HPR5W, HS IS A SINGLE POLE DOUBLE THROW REFLECTIVE PIN DIODE SWITCH MODULE DESIGNED WITH LOW LOSS, HIGH ISOLATION AND OPERATES AT THE 1030 MHz FREQUENCY.

**SPECIFICATIONS:**

- FREQUENCY: .....1030 MHz
- INSERTION LOSS: .....1.2 dB MAXIMUM
- ISOLATION: .....85 dB MINIMUM
- VSWR: .....2.0:1
- SPEED: .....RISE TIME: 200 nsec MAXIMUM  
 .....FALL TIME: 200 nsec MAXIMUM
- POWER INPUT: .....(CW)+20dBm (STANDARD), +10 dBm (HIGH SPEED)
- POWER HANDLING: .....5 WATTS CW
- CONTROL: .....TTL LOGIC "0"= J1-U2 ON \*1"= J1-U3 ON
- POWER SUPPLY: .....+5V @ 60 mA MAXIMUM  
 .....-15V @ 100 mA MAXIMUM
- CONNECTORS:  
 RF .....SMA FEMALE  
 CONTROL .....SOLDER PIN
- SIZE: .....1.20" (L) x 1.00" (W) x 0.50" (H)
- WEIGHT: .....1.5 OUNCE TYPICAL



**BLOCK DIAGRAM**



**ENVIRONMENTAL RATINGS:**

- TEMPERATURE: .....-55C TO +85C (OPERATING)  
 .....-65C TO +125C (STORAGE)
- HUMIDITY: .....MIL-STD-202F, METHOD 103B COND. B
- SHOCK: .....MIL-STD-202F, METHOD 213B COND. B
- VIBRATION: .....MIL-STD-202F, METHOD 204D COND. B
- ALTITUDE: .....MIL-STD-202F, METHOD 105C COND. B
- TEMPERATURE CYCLE: .....MIL-STD-202F, METHOD 107D COND. A

NOTE: THE ABOVE SPECIFICATIONS ARE SUBJECT TO CHANGE OR REVISION

**CONFIDENTIAL AND PROPRIETARY**

APPROVALS	DATE	TITLE	REV.
WJG	11/10/08	PRODUCT FEATURE	1

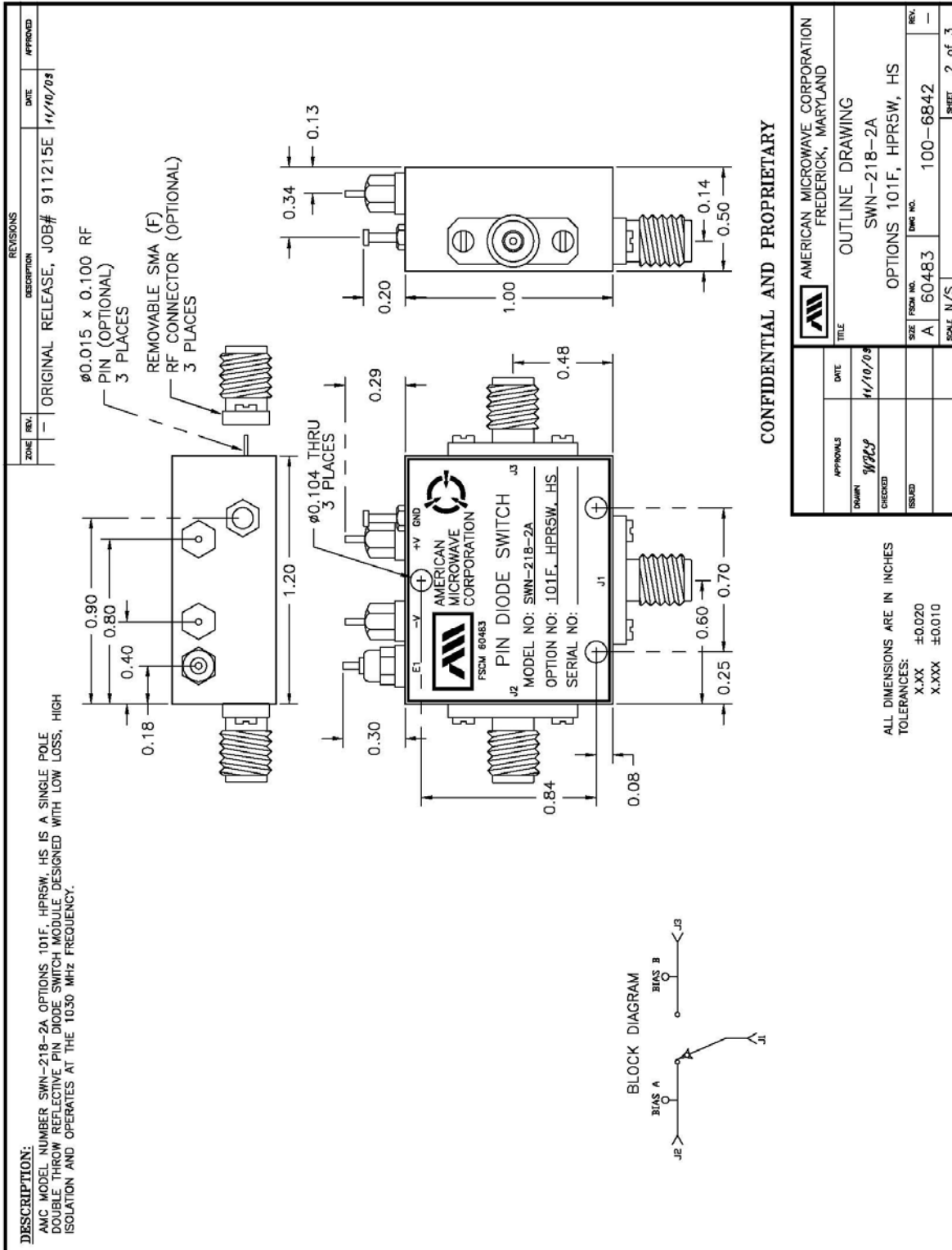
AMERICAN MICROWAVE CORPORATION  
 FREDERICK, MARYLAND

SWN-218-2A  
 OPTIONS 101F, HPR5W, HS

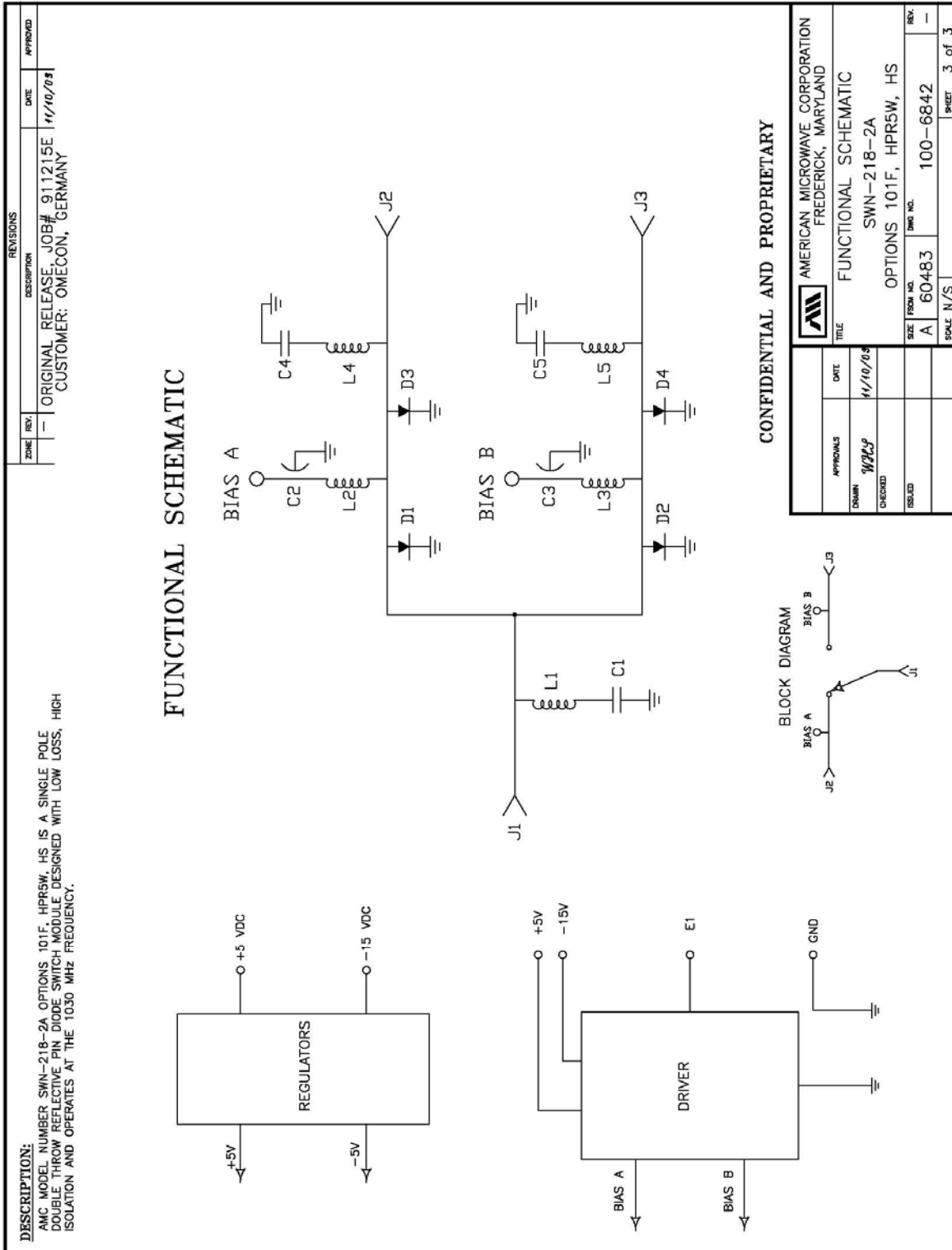
SIZE	FORM NO.	DWG NO.	REV.
A	60483	100-6842	-

SCALE: N/S      SHEET 1 of 3

**OUTLINE DRAWING**



## FUNCTIONAL SCHEMATIC



## FINAL TEST DATA

FINAL TEST DATA SHEETS

FOR

AMC MODEL NUMBER

**SWN-218-2A**  
OPTION 101F, HPR5W, HS

Serial Numbers:

2MS912873 THRU 2MS912876











